



- High Stability and Repeatability
- Supply Voltage 13-36Vdc
- All Stainless Steel Housing
- 4-20mA Two-Wire Output
- Zero + Span Adjustment on-Site
- Low Ranges from 100mBar
- Intrinsically Safe Models
- Standard Ranges EX-Stock
- Compatible Indicators and Alarms
- CE Marked

DESCRIPTION

The PR3110 series pressure transmitters have been designed to meet the requirements of the majority of industrial applications where accurate low pressure measurement is required.

Robustly constructed from stainless steel this range of pressure transmitters incorporates the latest silicon strain gauge technology together with a custom IC amplifier offering excellent stability and accuracy over a long service life.

Typical applications for this series of standard transmitters includes machine tools, mechanical and civil engineering installations, process plant, production test facilities, water resources, power generation and any application on fluid or gas requiring a stable repeatable and accurate output signal of 4-20mA.

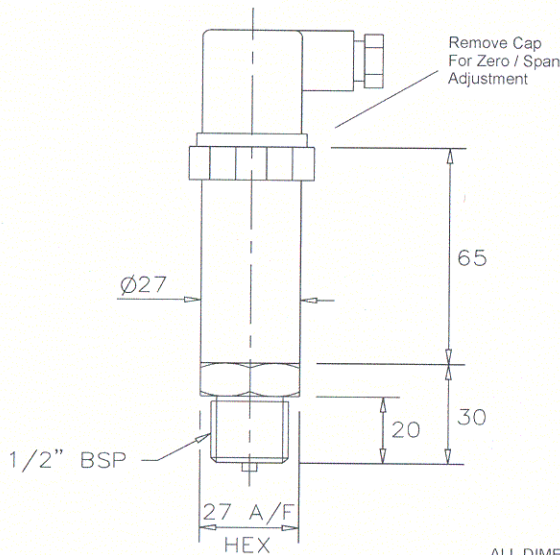
Electrical connection is via a detachable DIN connector allowing easy access to zero and span adjustment. Pressure connections are 1/2" BSP as standard, and 1/4" BSP, 1/4" BSPT, 1/2" BSPT, 1/4" NPT, 1/2" NPT are also available on request. Similar optional signal outputs such as 0 - 5 Vdc and 0 - 10 Vdc are also available.

Pressure ranges available from 0-100 mbar to 0-900 mbar.

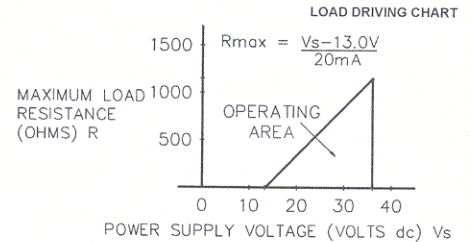
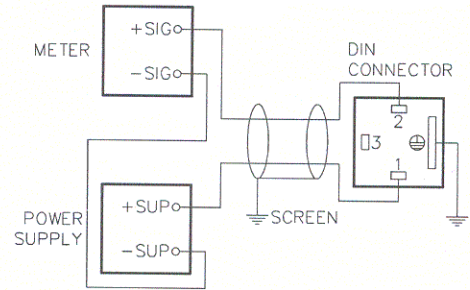
SPECIFICATION

Input			
Pressure ranges.....	0-100 to 0 - 900mbar	Adjustment.....	±10% FSO Zero and Span
Pressure reference.....	Gauge or Absolute	Environmental	
Over pressure.....	3 x rated pressure	Pressure media compatible with...	316L Stainless Steel
		Operating temperature range.....	-20 to +100degC
		Storage temperature range.....	-40 to +125degC
		Thermal effect zero.....	<±0.03%FSO/degC
		Thermal sensitivity.....	<±0.04%FSO/degC
		Vibration tolerance.....	10g's to 50Hz
		Mechanical shock tolerance.....	15g's (11mS)
		Operating humidity.....	95% RH
Output		Physical	
Span.....	4-20mA	Pressure connection.....	1/2"BSP male (other on request)
Type.....	2 wire	Electrical connection.....	DIN plug + socket to DIN43650
		Enclosure rating.....	IP65
		Natural frequency.....	20 KHz (min)
		Weight.....	195grams
		Materials.....	300 series stainless steel body conector. Diaphragm 316 stainless steel
Accuracy			
Zero Offset.....	<±1% FSO		
Span tolerance.....	<±1% FSO		
Combined non-linearity/hysteresis..	<±0.3% FSO		
Repeatability.....	<±0.1% FSO		
Long term stability.....	<±0.2% FSO / 6 months		
Electrical			
Supply voltage.....	13-36Vdc		
Supply voltage Effects.....	3uA/V		
Reverse Polarity.....	Protected		
Load driving Capability.....	1150 Ohms @ 36 Vdc		
Output short circuit (to ground).....	No damage		
Insulation Resistance.....	100M Ohms @ 100Vdc elec conn to case		
Response time (63%).....	1mS		

Dimensions/Mounting



TRANSMITTER WIRING DIAGRAM



Order Details

State model number and pressure range required:-
ie PR3110 0-200mbar

Model number	Description
PR3110	Std Pressure transmitter 0-100 to 0-900mbar

Standard Pressure Ranges

- 0 - 100mBar
- 0 - 200mBar
- 0 - 250mBar
- 0 - 300mBar
- 0 - 400mBar
- 0 - 500mBar
- 0 - 600mBar
- 0 - 750mBar
- 0 - 900mBar

Note. Absolute ranges start at 0 - 500mBar

Ellison Sensors operate a policy of continuous development in design and manufacture. We reserve the right to change specifications without prior notice.

Tel: +44 (0) 1978 262255



Fax: +44 (0) 1978 262233

ellison sensors international

Sensor House, Wrexham Technology Park, Wrexham, N. Wales, UK, LL13 7YP